

# Sky Lifter SL 400

Electric manipulator for the installation of contractor machines



## For installation of windows in highrises

Sky Lifter lifts and handles window sections and other building materials at great height.

Installed on e.g. telescopic loaders using quick release adaptor

- Accurate
- Multifunctional
- Radio control of all features
- Large lifting capacity
- Secure suction hold with two vacuum circuits



As Sky Lifter is radio-controlled, there are no limits to working height. The range of the remote control is 328 feet.



The lifted item is very resistant to wind/gusts as Sky Lifter is mounted on the parent machine.

Sky Lifter also handles the architect's creative and lopsided solutions where high installations under overhangs or oblique angles may be a challenge.



Sky Lifter runs non-stop with extra batteries (optional extra) which are easy to replace without the need for tools.



Sky Lifter handles high lifts for installations in highrises such as these.



4910 Wilshire Boulevard • Country Club Hills, IL 60478  
Phone: 815-931-4825 • [www.greatlakeslifting.com](http://www.greatlakeslifting.com)

**Smart Lift**  
DENMARK



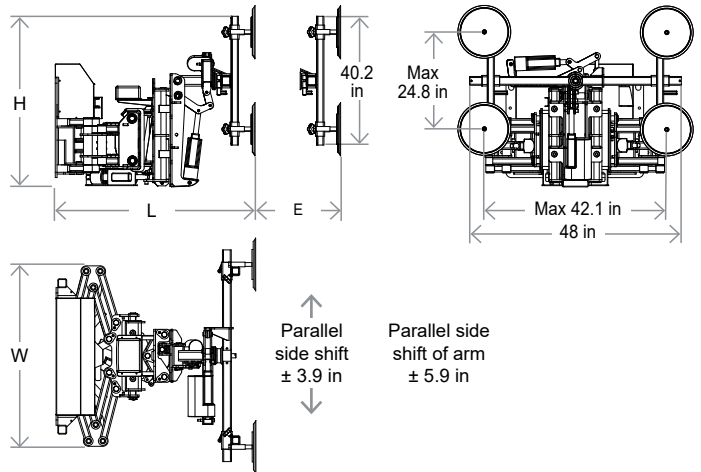
Sky Lifter's smooth pattern of movement is repeated in the yoke where rotation, tilt and tip take place in soft, stepless movements.



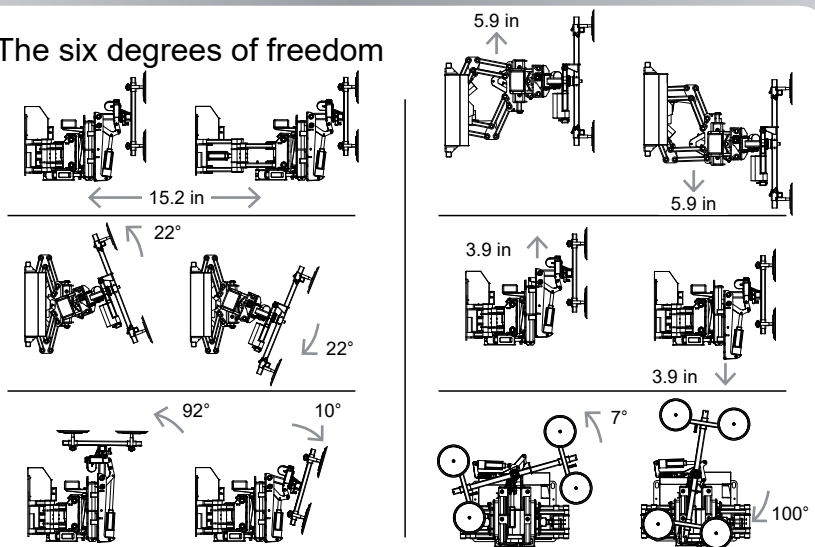
Sky Lifter is easy to install on the telescopic loader using an adapter for Quick release.



## Dimensions



## The six degrees of freedom



## Technical data

Description	Value *
Weight	794 lb
Height (min/max)	41.3/51.2 in
Width (min/max)	40.2/48 in
Length (min/max)	44.9/59.8 in
Extension of arm	15.2 in
Speed regulation	Stepless
Vacuum system	2-circuits
Suction pads	4 x Ø 11.8 in
Charging voltage	110 volt, 5 Amp
External charger included	
Battery E-bike	24 volt, 20,25 Ah
Charging time 75%	2 hours
Charging time 100%	4 hours
Running period	Approx. 8 hours **
Battery replacement	Approx. 15 sec.
Charging cycles	1000
Sky Lifter can be partially charged	
Lifting capacity	882 lb

\*All measurements are without adaptor for Quick release.

\*\*With normal use, Sky Lifter can easily last an 8-hour working day without charging. Battery capacity with continuous operation and maximum load is 4 hours. With additional battery, the operating period is limitless.

## Workpieces/items

Sky Lifter handles a wide range of items from plasterboard to fire doors and wall panels.



Table tops



Fire doors



Wood/plasterboard



Wall panels



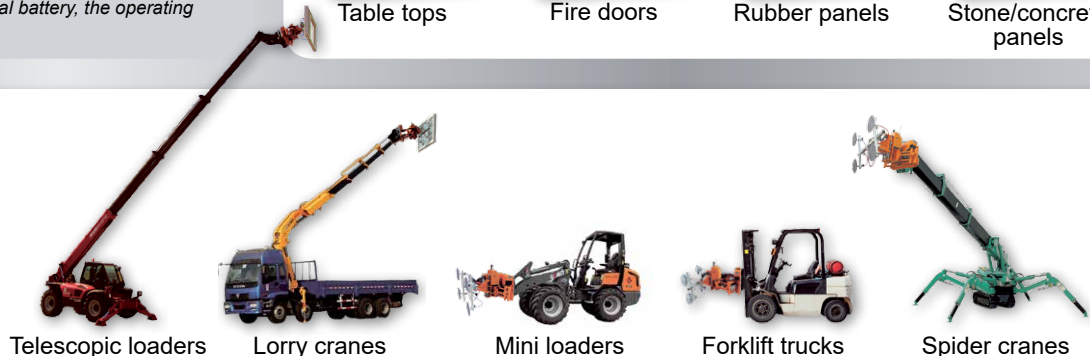
Rubber panels



Stone/concrete panels

## Parent machines

Sky Lifter is a small, light and flexible electric manipulator which, with the right adapter, can be mounted on any hydraulic telescopic loader, crane etc.



Telescopic loaders

Lorry cranes

Mini loaders

Forklift trucks

Spider cranes



4910 Wilshire Boulevard • Country Club Hills, IL 60478  
Phone: 815-931-4825 • www.greatlakeslifting.com

