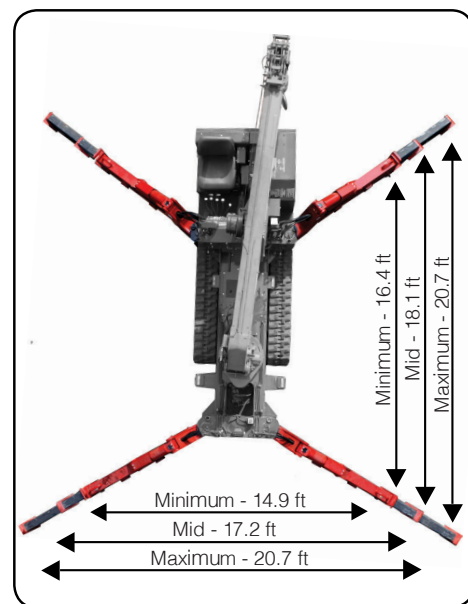
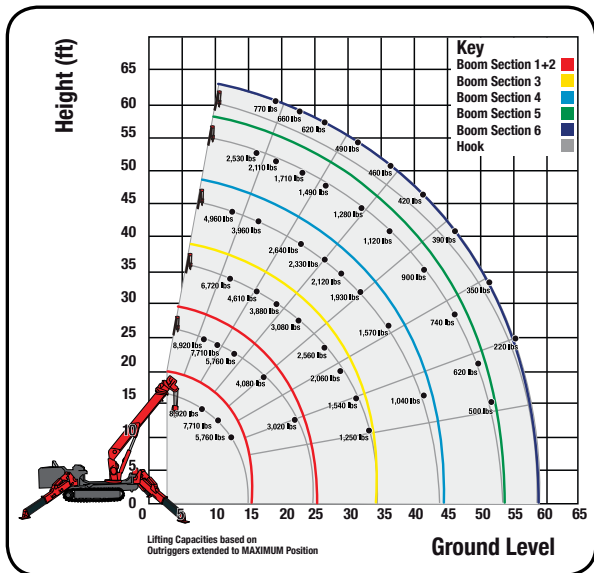




DESIGNED TO GO WHERE OTHER CRANES CAN'T

Engineered and manufactured by Japanese industry crane leader FURUKAWA UNIC Corp., the Spydercrane offers versatility, maneuverability and lifting capacity in a compact design that enables you to quickly, safely and easily meet all of your restricted and confined-area lifting requirements. They are distributed in North America by Spydercrane Sales, LLC. Each unit is backed by our 15-plus years of industry and application experience, complete inventory of genuine spare parts and accessories, and superior local service support.

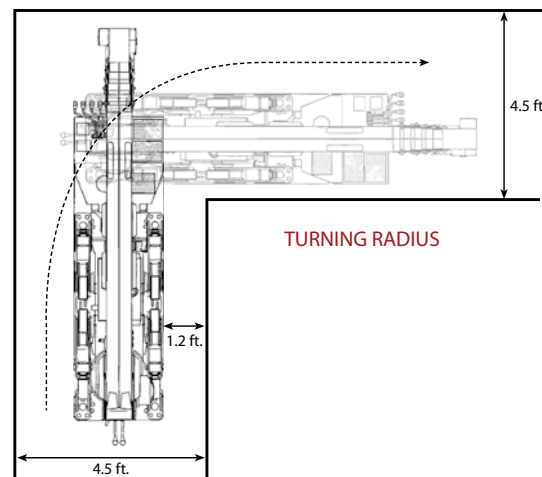
WORKING RADIUS




LOAD CHART

Lifting capacity varies depending on outrigger configuration, boom length and angle.

BOOM SECTION 1 EXTENDED BOOM SECTIONS 1 + 2 EXTENDED														
Working Radius (ft.)	8.0	10.0	11.0	13.0	14.0	16.0	18.0	19.0	23.0	24.6				
Outriggers Maximum (lbs.)	8,920	7,710	7,010	5,760	5,350	4,610	4,080	3,830	3,080	2,970				
Outriggers Halfway (lbs.)	8,920	7,710	7,010	5,760	5,300	4,350	3,710	3,400	2,340	2,000				
Outriggers Minimum (lbs.)	8,920	7,710	7,010	5,760	5,160	3,960	3,020	2,660	1,780	1,470				
BOOM SECTIONS 1 + 2 + 3 EXTENDED														
Working Radius (ft.)	11.0	13.0	16.0	19.0	23.0	26.0	29.0	32.0	34.3					
Outriggers Maximum (lbs.)	6,720	5,760	4,610	3,230	3,080	2,560	2,060	1,540	1,250					
Outriggers Halfway (lbs.)	6,720	5,760	4,350	3,100	2,540	1,980	1,580	1,250	1,060					
Outriggers Minimum (lbs.)	6,720	5,760	3,910	2,810	1,960	1,490	1,170	930	770					
BOOM SECTIONS 1 + 2 + 3 + 4 EXTENDED														
Working Radius (ft.)	13.0	14.0	16.0	19.0	23.0	26.0	29.0	32.0	36.0	39.0	42.0	43.9		
Outriggers Maximum (lbs.)	4,960	4,510	3,960	3,230	2,640	2,330	2,120	1,930	1,570	1,240	1,040	940		
Outriggers Halfway (lbs.)	4,960	4,350	3,750	3,100	2,425	2,000	1,700	1,400	1,100	920	780	690		
Outriggers Minimum (lbs.)	4,960	4,350	3,750	2,810	1,870	1,540	1,290	1,030	810	670	550	480		
BOOM SECTIONS 1 + 2 + 3 + 4 + 5 EXTENDED														
Working Radius (ft.)	16.0	18.0	19.0	23.0	26.0	29.0	32.0	36.0	39.0	42.0	46.0	49.0	52.0	53.4
Outriggers Maximum (lbs.)	2,530	2,210	2,110	1,710	1,490	1,380	1,280	1,120	1,020	900	740	620	520	480
Outriggers Halfway (lbs.)	2,530	2,210	2,110	1,650	1,440	1,280	1,140	1,000	890	790	660	540	450	420
Outriggers Minimum (lbs.)	2,530	2,210	2,060	1,650	1,220	1,050	980	860	760	640	500	420	340	330
BOOM SECTIONS 1 + 2 + 3 + 4 + 5 + 6 EXTENDED														
Working Radius (ft.)	19.0	23.0	26.0	29.0	32.0	36.0	39.0	42.0	46.0	49.0	52.0	55.0	58.5	
Outriggers Maximum (lbs.)	770	660	620	560	490	460	440	420	390	370	350	300	220	
Outriggers Halfway (lbs.)	770	660	620	560	490	460	440	420	390	370	350	300	220	
Outriggers Minimum (lbs.)	770	660	620	560	490	460	440	420	390	370	350	300	220	



URW547 MINI-CRAWLER CRANE

	URW547C4URS	URW547C4UMRS	URW547C4UBRS
Engine / Motor	DIESEL	DIESEL Electric	
Engine Manufacturer:	Yanmar	Yanmar / AC	DC /AC
Maximum Output:	24.5HP	Diesel - 24.5HP Electric - 10HP* (Single Phase)	48V Battery 110V Electric*
Tank Capacity:	10.57 gal	10.57 gal	N/A
Starting Method	Electric Start		N/A
Crane Capacity	8,920 lbs @ 8.0 ft		
Max Working Radius	59 ft		
Tip Height	68 ft		
Turning Radius	Turns within its dimensions		
Dimensions when Folded (ft.)	4.5 x 6.5 x 16.2 (W x H x L)		
Weight	11,070 lbs	11,570 lbs	12,000 lbs
Outrigger Point Loading	(Specific point landing available upon request)		
Winch Speed	223.1 ft/min at 4th layer Hook: 55.77 ft/min at 4th layer		
Single Line Pull	2,220 lbs Single Line		
Telescopic System	Boom Type: 6-Section hydraulically telescoping boom, with hexagonal box construction Hydraulic Telescope with Holding Valves: 36 ft. / 23 Seconds		
Telescoping Speed	20 ft / 20 seconds		
Swing Rotation	360° Continuous Worm Drive		
Boom Lift Speed	0° – 80° / 18 sec		
Traction System	Travel Speed: Low - 1.86 mph High - 3.92 mph		
	Gradability: 23°		
	Track Ground Pressure: 5.22 psi		

Standard Features, Options, and Safety Equipment

- Full-function radio remote control
- Centrally located infinite variable controls
- Onboard self-diagnostic computer system
- Hexagonal boom
- Anti-two block system
- Automatic hook stow system
- SPYDERWEB 5 Axis fixed Glass Manipulator - Direct attachment to boom for rigid application
- Over-winding prevention device and alarm
- MYLAR® non-marking tracks for indoor applications
- Minimum wire rope automatic stop
- Hydraulic circuit pressure relief valve with bubble-style level for outrigger leveling
- Rated Capacity Indicator (L.M.I.)
- Interlock Monitoring Outrigger and Boom System
- Custom SPYDERCRANE trailer with track mats, tool box, outrigger pads and fuel containers

* Electric Models are available in 208-230V 1Ø, 208-230V 3Ø and 440-460V 3Ø