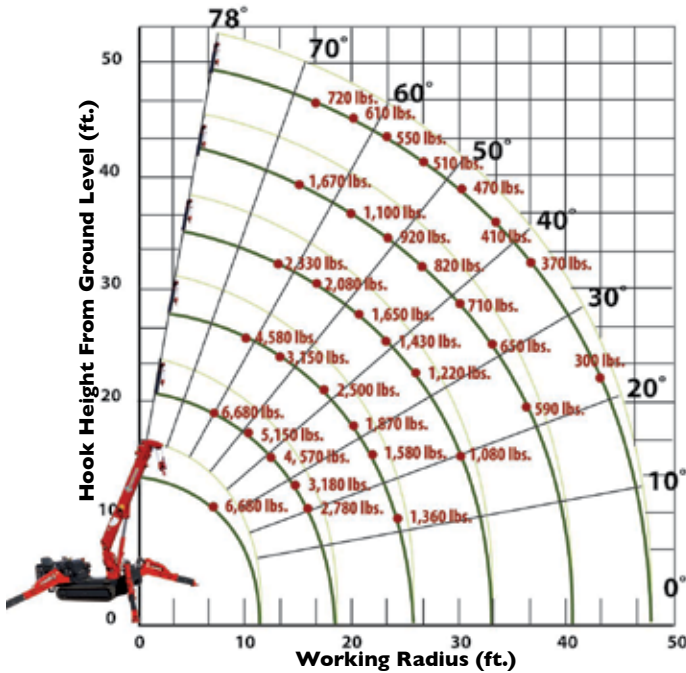


### DESIGNED TO GO WHERE OTHER CRANES CAN'T

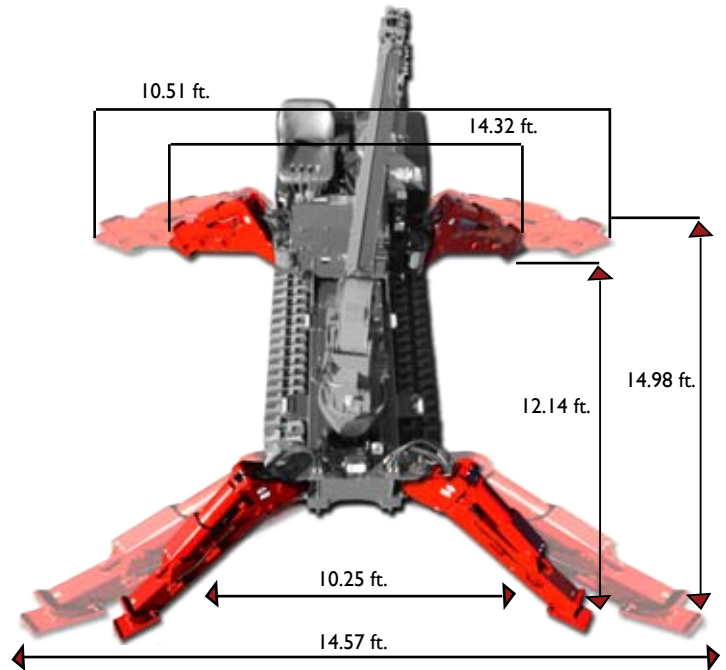
Engineered and manufactured by Japanese industry crane leader FURUKAWA UNIC Corp., the Spydercrane offers versatility, maneuverability and lifting capacity in a compact design that enables you to quickly, safely and easily meet all of your restricted and confined-area lifting requirements. They are distributed in North America by Spydercrane Sales, LLC. Each unit is backed by our 15-plus years of industry and application experience, complete inventory of genuine spare parts and accessories, and superior local service support.



### WORKING RADIUS



### OUTRIGGER POSITIONS

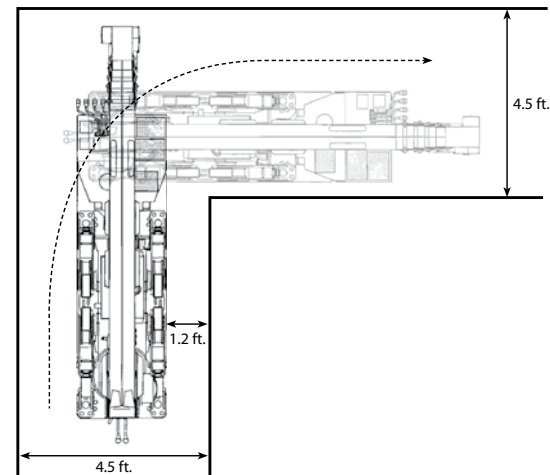


### LOAD CHART

ALL BOOMS RETRACTED AND SECOND STAGE EXTENDED											
Working Radius (ft.)	6.5	8.0	10.0	11.0	13.0	15.0	17.0	18.6			
Outriggers Maximum (lbs.)	6,680	6,680	5,150	4,570	3,760	3,180	2,780	2,420			
Outriggers Minimum (lbs.)	6,680	6,680	4,730	3,700	2,550	2,000	1,500	1,100			
THIRD STAGE EXTENDED											
Working Radius (ft.)	8.5	10.0	11.0	13.0	15.0	16.0	18.0	20.0	23.0	25.8	
Outriggers Maximum (lbs.)	5,000	4,580	3,950	3,150	2,710	2,500	2,160	1,870	1,580	1,360	
Outriggers Minimum (lbs.)	4,880	4,500	3,800	2,770	2,250	2,000	1,500	1,130	720	480	
FOURTH STAGE EXTENDED											
Working Radius (ft.)	13.0	15.0	16.0	20.0	23.0	26.0	30.0	33.0			
Outriggers Maximum (lbs.)	2,330	2,080	1,960	1,650	1,430	1,220	1,080	900			
Outriggers Minimum (lbs.)	2,330	1,810	1,540	1,050	740	560	330	260			
FIFTH STAGE EXTENDED											
Working Radius (ft.)	15.0	16.0	20.0	23.0	26.0	30.0	33.0	36.0	40.2		
Outriggers Maximum (lbs.)	1,670	1,480	1,100	920	820	710	650	590	570		
Outriggers Minimum (lbs.)	1,670	1,480	910	610	470	340	260	200	80		
SIXTH STAGE EXTENDED											
Working Radius (ft.)	16.0	18.0	20.0	23.0	26.0	30.0	33.0	36.0	39.0	43.0	47.3
Outriggers Maximum (lbs.)	720	660	610	550	510	470	410	370	350	300	280
Outriggers Minimum (lbs.)	730	670	620	550	450	290	240	170	130	110	80

Lifting capacity varies depending on outrigger configuration and boom length and angle.

### TURNING RADIUS



# URW376 MINI-CRAWLER CRANE

		URW376CIURS	URW376CIUMRE	
<b>Crane capacity</b>	<b>Capacity:</b>	6,680 lbs. @ 8.20 ft.		
<b>Max working radius</b>	<b>Maximum:</b>	2.03 to 47.40 ft.		
<b>Max lifting height</b>	<b>Approximate:</b>	49 ft.		
<b>Turning radius (ft.)</b>	<b>Minimum:</b>	TURNS WITHIN IT'S DIMENSIONS		
<b>Dimensions (ft.)</b>	<b>Folded: (w x h x l)</b>	14.23 X 4.26 X 5.90	14.23 X 4.26 X 5.90	
<b>Weight</b>	<b>Unladen:</b>	8510 lbs	—	
<b>Outrigger point loading</b>	<b>Maximum:</b>	??? on standard outrigger pads		
<b>Winch speed</b>	<b>Approximate:</b>	<b>Single line speed:</b> 223.1 ft./minute at 4th layer <b>Hook Speed:</b> 55.77 ft./min at 4th layer with 4-part line	<b>Diesel</b>	<b>Electric</b>
			<b>Single line speed:</b> 223.1 ft./minute at 4th layer <b>Hook Speed:</b> 55.77 ft./min at 4th layer with 4-part line	
<b>Telescopic system</b>	<b>Boom Length:</b>	11.9 to 47.93 ft.		
	<b>Hydraulic Telescopic with holding valves:</b>	36 ft./23 sec	<b>Diesel</b>	<b>Electric</b>
	36 ft./23 sec			
	<b>Boom type:</b>	6- section hydraulicity telescoping boom, hexagonal box construction		
<b>Boom lift speed</b>	<b>Hydraulic with holding valves</b>		<b>Diesel</b>	<b>Electric</b>
		0° - 80°/ 10 sec		
<b>Swing rotation</b>	<b>Worm Drive</b>	360 degrees continuous		
<b>Traction System</b>	<b>Travel Speed:</b>	Two Speed	Low: 1.86 mph	High: 3.92 mph
	<b>Gradability:</b>	23°		
	<b>Track ground pressure:</b>	5.22 psi		
<b>Engine / Motor</b>	<b>Manufacturer:</b>	Mitsubishi	Mitsubishi	
	<b>Tank Capacity:</b>	10.57 gal	10.57 gal	DNA
	<b>Maximum output:</b>	26.2 HP	<b>Diesel</b>	<b>Electric</b>
	13 HP / AC 200-220 V/3 Phase/60HZ			
	<b>Starting method:</b>	Electric start as standard		
<b>Type:</b>	Diesel	Diesel & Electric		
<b>Standard and safety equipment</b>	Full-function radio remote, centrally located infinitely variable controls, onboard self-diagnostic computer system, hexagonal boom, anti-two block system, automatic hook stow system, hook safety latch, over-winding prevention device and alarm, working area limitation minimum wire rope automatic stop, hydraulic circuit pressure relief valve and bubble-style level for outrigger leveling, Rated Capacity Indicator, (L.M.I) Interlock Monitoring Outrigger System.			