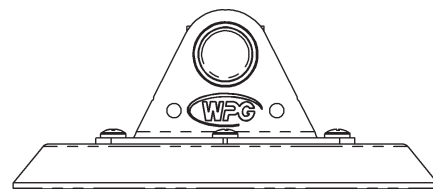
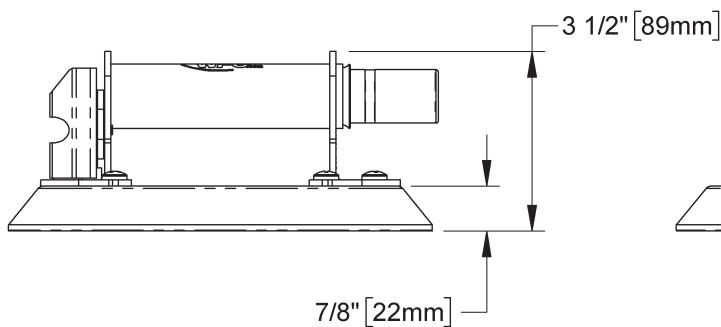
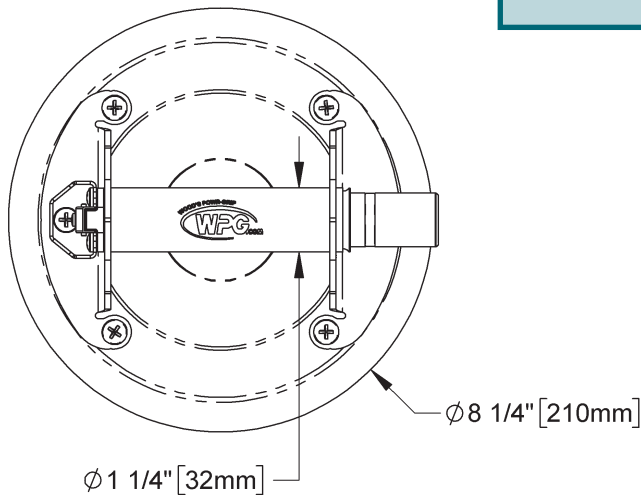




# 8" HAND CUP FOR FLAT SURFACES

MODEL: N4950  
STOCK: 91500

A standard tool in the glass industry for over 50 years!  
Long-term durability and outstanding reliability.



<b>Maximum Load Capacity</b>	<b>125 lbs [57 kg]</b>
<b>Features</b>	Fast attach and release Red-line indicator warns user of any significant vacuum loss Eligible for WPG Hand Cup Exchange Program Supplied with protective carrying case
<b>Surface Texture</b>	Smooth
<b>Material Porosity</b>	Nonporous
<b>Surface Curvature</b>	Flat
<b>Maximum Elevation</b>	5,000 ft [1,524 m]
<b>Material and Ambient Temperature Range</b>	10° F [-12° C] – 120° F [49° C]
<b>Ideal Uses</b>	Glass and other smooth, nonporous flat surfaces
<b>Nominal Pad Diameter</b>	8" [20 cm]
<b>Pad Model</b>	VPFS8L
<b>Rubber Type</b>	Standard
<b>Handle Type</b>	Metal
Based on product information at time of publication. Environmental conditions can affect product performance and longevity; consult the product instructions on WPG.com or contact a Technical Sales Representative for more information.	

